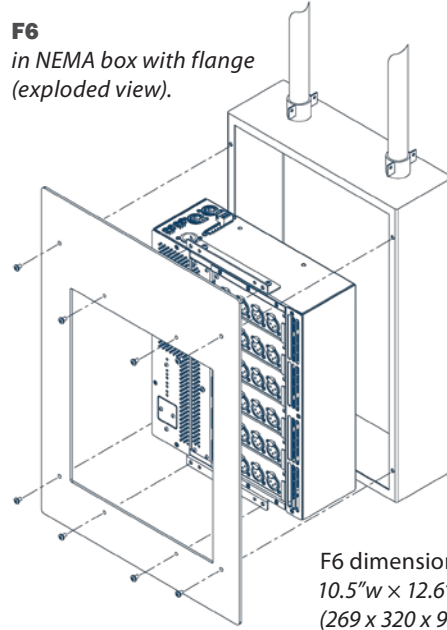


F6 Mounting & Installation Options

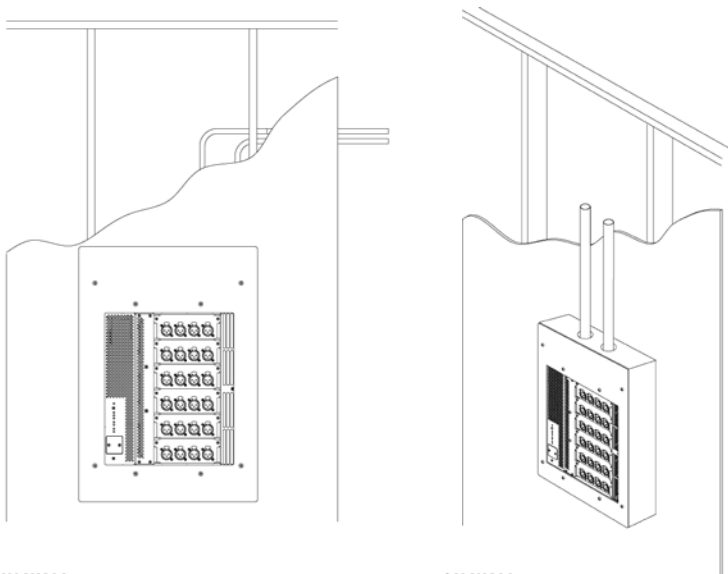
The F6 Modular I/O Frame can be installed in a variety of ways, including in or on the wall, in a standard rack, or in a floor pocket. When mounted in a standard NEMA Type 1 box, the F6 may be installed with other AV, electrical, and communications infrastructure according to the needs of a particular installation.

F6
in NEMA box with flange
(exploded view).



F6 dimensions:
10.5" w × 12.6" h × 3.85" d
(269 x 320 x 98 mm)

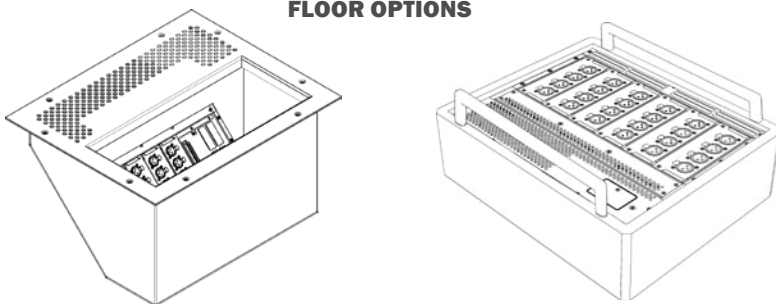
WALL MOUNTING OPTIONS



IN WALL
Requires NEMA enclosure and flush-mount flange (such as the Aviom PLT6f) for dressing.

ON WALL
Requires NEMA enclosure and surface-mount flange (such as the Aviom PLT6s) for dressing.

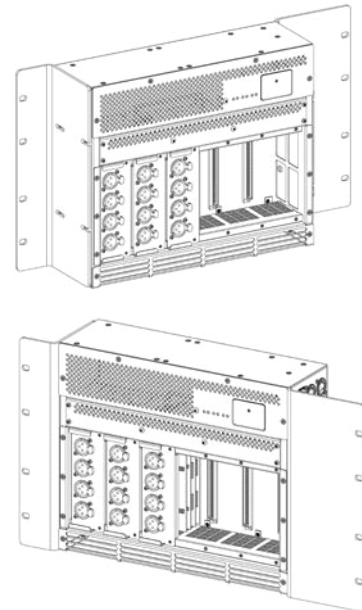
FLOOR OPTIONS



FLOOR POCKET*
Requires FK6 Floor Kit.

STAGE DROP BOX*
Requires SK6 Stage Kit.

RACK MOUNTING OPTIONS



RACK MOUNT
May be installed with connectors rear-facing (top illustration) or forward-facing (bottom illustration). Requires RK6 Rack Kit.

*Preliminary. Subject to change without notice.

Aviom, A-Net, the A-Net Icon, Pro16, Pro64, Virtual Data Cables, m-control, and AllFrame are trademarks of Aviom, Inc. All other trademarks are the property of their respective owners. ©2011 Aviom, Inc. All rights reserved. Information subject to change without notice. rev. 1.0 011212