

Personal Mixer Repair Kit Instructions

Electrical Safety

The Personal Mixer Repair Kit is intended to be used to replace parts on the exterior of your Aviom product that may have been broken or lost. Under no circumstances should you attempt to open the product. All knob and button replacements should be performed with the power cord to the product removed to avoid accidental injury.



Be sure to read and understand all the warnings in your product's documentation before proceeding.

Avoid Damage to the Product

The Personal Mixer Repair Kit's parts should be used for replacing *missing* knobs and buttons. **Attempting to remove already-seated Channel, Recall, Group, Mute, or Solo buttons from the product can cause damage to the switches on the circuit board below. This damage is not covered by the product's warranty.**

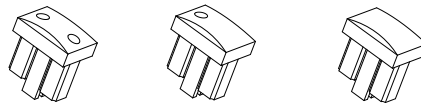
Overview

The Pro16® A-16II and A-16R Personal Mixers and the A-16CS Control Surface (used with the A-16R) have easily replaceable button caps and knobs that can be field-serviced by the user.

The Personal Mixer Repair Kit includes 16 two-lens channel buttons, three one-lens buttons for replacing the Recall, Group, and Solo buttons, and a non-lens button that can be used to replace the Mute button. Five knobs are included in the kit. Three knobs have white indicators intended as replacements for the Bass, Treble, or Master knobs, or the Mix In knob found only on the A-16R. The remaining two knobs have no indicators and can be used to replace the Pan or Volume rotary encoders on an A-16II, A-16R, or A-16CS.

Types of Buttons

The 16 channel buttons on the Personal Mixer use the two-lens buttons from the repair kit package. The two-lens buttons can be identified by the clear circles on the top of the button. Two-lens buttons can be oriented in either direction; the color seen when the button is pressed comes from a colored LED on the circuit board below.



A two-lens button for use on a channel (left), one-lens button (center), and no-lens button (right).

The Recall, Group, and Solo buttons use a one-lens design. Three of these buttons are included with the repair kit.

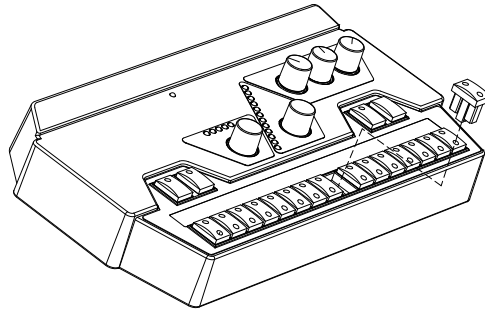
The one-lens button gets installed with its lens facing up; there is one colored LED on the circuit board below that is seen when the button is pressed. Orient a one-lens button with the lens facing up.

The Mute button is unique on the Personal Mixer products; it is the only button without an LED lens. One of these buttons is included with the repair kit.

Replacing a Button

To replace a button on a Personal Mixer product:

- Select the appropriate button for the replacement according to the descriptions above.
- Orient the button with the short edge of the button down.
- On a one-lens button, orient the button with the lens facing up.
- Line up the replacement button with the opening in the Personal Mixer.
- Using gentle pressure, press down on the button to seat it onto the switch on the circuit board below. Avoid using excess pressure as this may cause damage to the circuit board.



Gently press a replacement button into place.

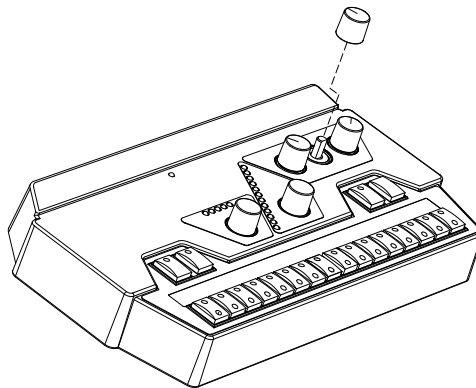
Warning: Use care when selecting a button type before pressing it in place on your mixer. If you must remove a button from the A-16II, A-16R, or A-16CS because the wrong type of button has been inserted, use a small flat-blade screwdriver to remove it. Apply gentle pressure from the top and bottom edge of the button with the screwdriver, using a rocking motion to dislodge the button.

Replacing a Knob

Two types of knobs are used on the Personal Mixer products. The Bass, Treble, Mix In (A-16R only), and Master controls use a knob with a white indicator. The Pan and Volume knobs have no indicator.

To replace a knob:

- Select the appropriate knob for the replacement according to the descriptions above.
- The knobs have a D-shaped opening. Align the D-shape in the knob's opening with the D-shaped stem of the Personal Mixer's rotary potentiometer.
- Using gentle pressure, press down on the knob to seat it onto the stem of the potentiometer.



Align the D-shaped opening in the knob with the stem of the potentiometer when replacing a Personal Mixer knob.

Aviom, A-Net, the A-Net icon, Pro16, Pro64, and Virtual Data Cables are trademarks of Aviom, Inc. All other trademarks are the property of their respective owners. © 2009 Aviom, Inc. All rights reserved. Information subject to change without notice. P/N 9311 1019 0001F rev. 2.0